



# SPARE PARTS CATALOGUE

CD-ROM 'ELCAT' 1/2003 06.02.2006

**VG-1600-300**

ZF parts list no.: 5848 001 011

customer: KAMAZ

ZF-ELCAT technical information sheet

CD 1/2003 06.02.2006  
sheet 2

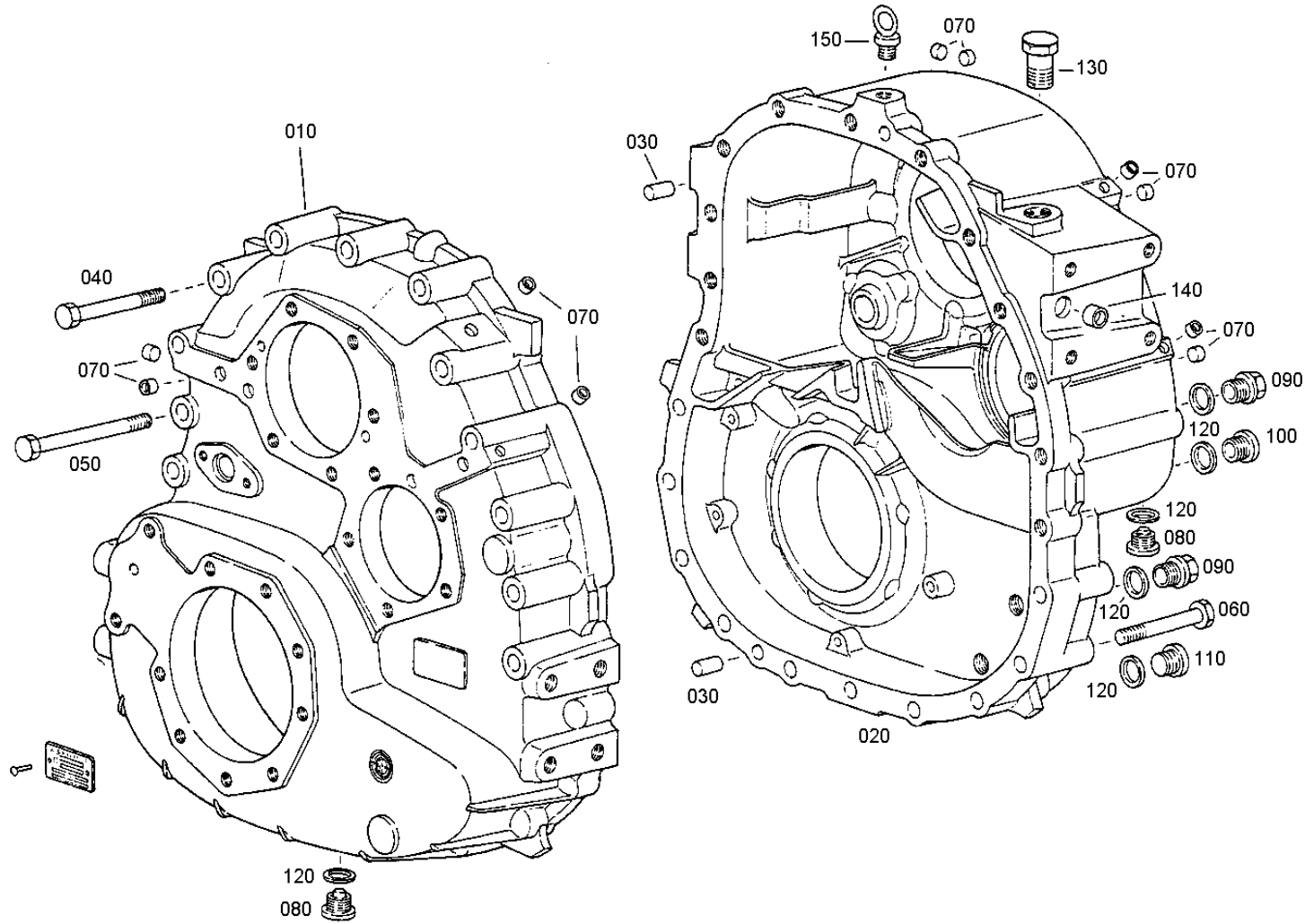
parts list: 5848 001 011 VG-1600-300 / / KAMAZ

item	text	mod. no.
A10	KUNDE:KAMAZ	
A16	IDENT-NR.:	
K06	SCHNITT: 171600002002	
	172000002002	
K16	EINBAU: 171200000011	
T02	OELMENGE: CA7,2 L	
T26	OELFUELLUNG: NEIN	
T30	OELSORTE: ZF ECOFLUID X	
T46	GRUNDIERUNG: 5 TIEFSCHWARZ RAL 9005	



parts list: 5848 001 011 VG-1600-300 / / KAMAZ  
figure: 5848 103 002 00 HOUSING

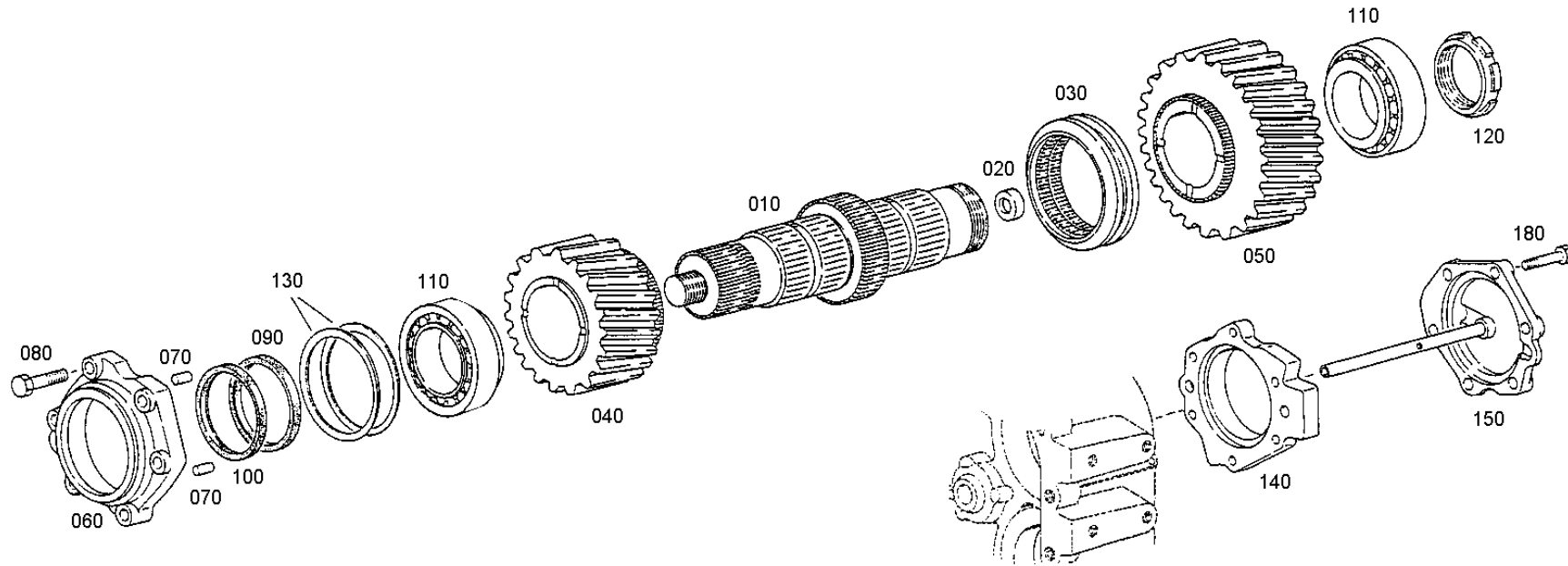
\* depending on parts list no.





parts list: 5848 001 011 VG-1600-300 / / KAMAZ  
figure: 5848 104 004 00 INPUT

\* depending on parts list no.

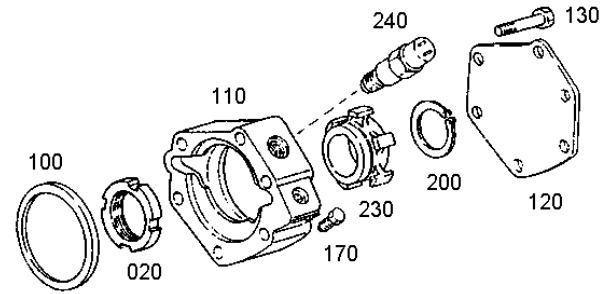
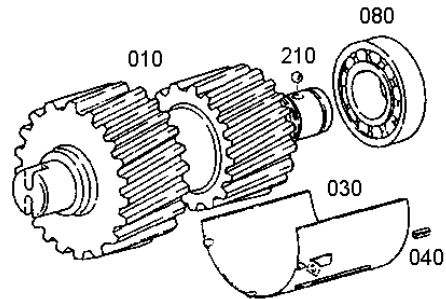
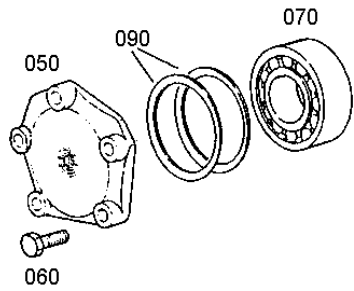




parts list: 5848 001 011 VG-1600-300 / / KAMAZ

figure: 5848 105 003 00 DOUBLE GEAR

\* depending on parts list no.





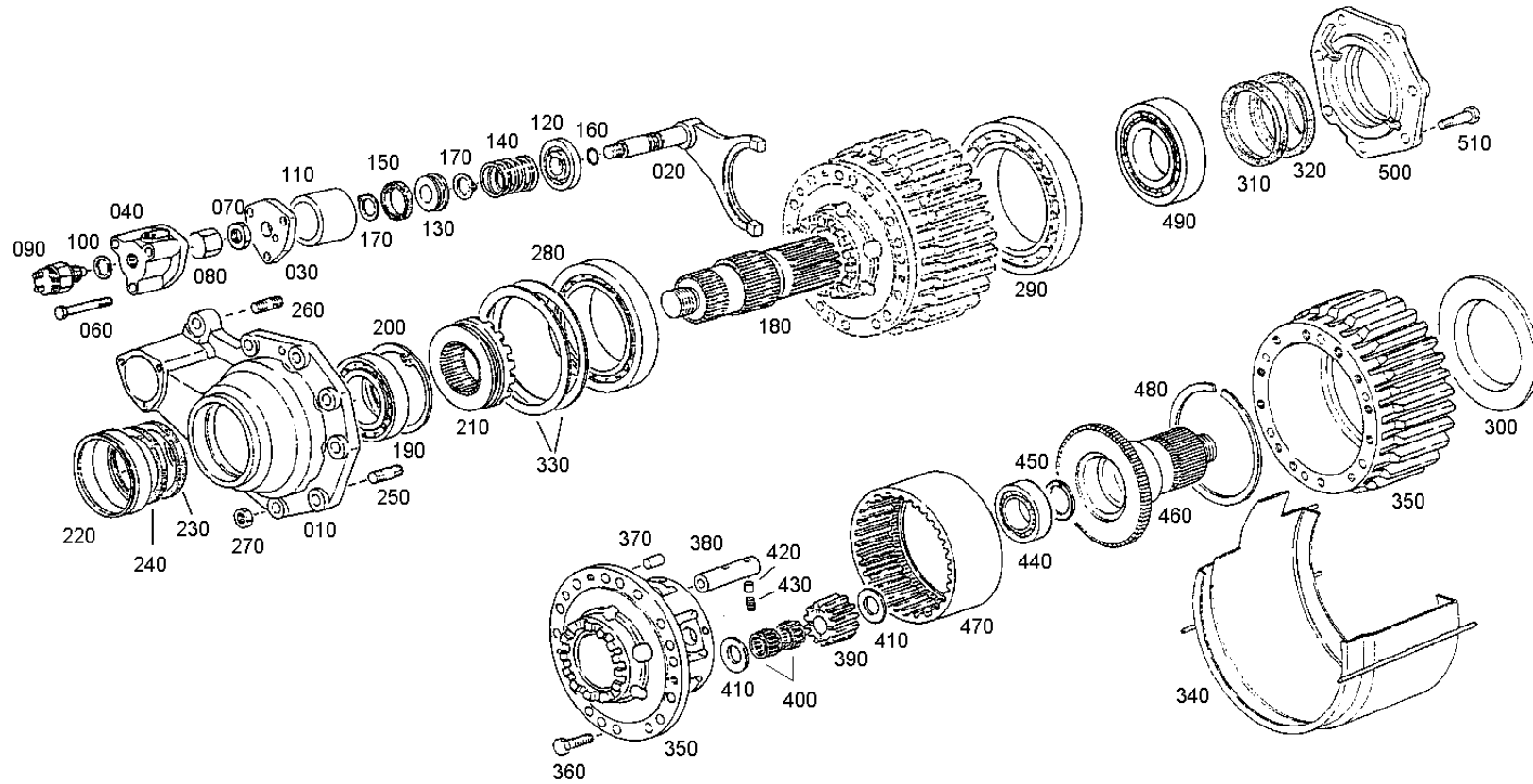
ZF-ELCAT parts list

parts list: 5848 001 011 VG-1600-300 / / KAMAZ  
figure: 5848 105 003 00 DOUBLE GEAR (5848 105 011)

item	part no.	OCF	description	mod. no.	mod. intr.	technical information	opt.	customer's code no.	weight	suppl.plant
010	5841 300 809	1	DOUBLE GEAR			171600220084 Z=21/29				P
020	5840 333 121	1	SLOTTED NUT			M60X1,5 / 190003880011	17H		0,120	P
030	5841 300 174	1	COVER PLATE			171600210051			0,250	P
040	0631 329 053	1	SLOT.PIN			5 X 30	ST		0,010	P
050	5841 300 540	1	END COVER			199118250136			1,560	P
060	0636 011 294	5	HEXAGON SCREW			M 12 X 40	8.8 A3C		0,040	P
070	5841 300 810	1	CY.ROLL.BEARING			171600220087 Z=21/29			2,480	P
080	5840 333 095	1	CY.ROLL.BEARING			190003320145			1,475	P
090		1	SHIM			199118250296				
	5841 300 575	1	SHIM			199118250296	WW		0,010	P
	5841 300 576	1	SHIM			199118250297	WW		0,020	P
	5841 300 577	1	SHIM			199118250298	WW		0,010	P
100	5841 300 172	1	CENTERING RING			171600210046			0,216	P
110	5841 300 226 H	1	SPEEDO HOUSING			172000210011			3,800	P
120	5841 300 541	1	COVER			199118250138			1,040	P
130	0636 011 487	6	HEXAGON SCREW			M 12 X 75	8.8 A4C			
170	5840 301 116	1	HEXAGON SCREW			13809 220073			0,010	P
200	0630 531 065	1	RETAINING RING			50X3			0,020	P
210	0635 460 011	1	BALL						0,004	P
230	5841 300 248	1	IMPULSSTERN			172000220047			0,950	P
240	5841 300 252	1	PULSE SENSOR			172000710001			0,090	P

parts list: 5848 001 011 VG-1600-300 / / KAMAZ  
figure: 5848 106 005 00 OUTPUT

\* depending on parts list no.



ZF-ELCAT parts list

parts list: 5848 001 011 VG-1600-300 / / KAMAZ  
figure: 5848 106 005 00 OUTPUT (5848 106 008)

item	part no.	OCF	description	mod. no.	mod. intr.	technical information	opt.	customer's code no.	weight	suppl.plant
010	5841 300 552	1	BEARING HOUSING			199118250222			8,300	P
020	5841 300 538	1	GEAR SHIFT FORK			199118250127			1,080	P
030	5841 300 533	1	COVER			199118250094			0,400	P
040	5841 300 564	1	COVER			199118250251			0,860	P
060	0636 010 540	3	HEXAGON SCREW			M 8 X 75 8.8 A3C			0,030	F
070	5840 333 198	1	HEXAGON NUT			M16X1,5 / 190003871545 A3C			0,016	P
080	5841 300 563	1	CAP NUT			199118250250			0,050	P
090	5841 300 163	1	PRESSURE SWITCH			171200710001			0,060	P
100	0634 801 057 H	1	SEALING RING			A18 X 22 DIN 7603 CU			0,002	P
110	5841 300 373	1	BUSH			199014250122			0,100	P
120	5841 300 374	1	WASHER			199014250123			0,110	P
130	5841 300 375	1	PISTON			199014250124			0,030	P
140	5841 300 653	1	COMPR.SPRING			1-99-976-003			0,050	P
150	5841 300 652	1	SEALING COLLAR			1-99-965-021			0,020	P
160	0634 306 012 H	1	O-RING			13,3 X 2,4 NBR -70-10			0,040	P
170	0630 501 014 H	2	RETAINING RING			18X1,2			0,010	P
180	5841 300 534	1	OUTPUT SHAFT			199118250120			6,830	P
190	0635 332 057	1	BALL BEARING						1,000	P
200	0630 502 048 H	1	RETAINING RING			120X4			0,080	P
210	5841 300 595	1	G.SHIFT SLEEVE			199118250345			1,290	P
220	5841 300 550	1	POT			199118250218				P
230	5840 333 227	1	SHAFT SEAL			ENTH.IN 199118250255				
240	5840 333 268	1	SHAFT SEAL			ENTH.IN 199118250255				
250	0636 611 146	3	STUD			M 12 X 45 8.8 A3C			0,050	P
260	0636 611 145	7	STUD			M 12 X 35 8.8 A3C			0,040	P
270	0637 006 202	10	HEXAGON NUT			M 12 8 A3C AU			0,010	P
280	5840 333 089 H	1	TA.ROLL.BEARING			32024 X/C /190003320070			3,320	P
290	5841 300 566	1	KEGELROLLENLAG.			199118250253			3,000	P
300	5841 300 567	1	OIL DAM			199118250254			0,200	P
310	5840 333 233	1	SHAFT SEAL			ENTH.IN 199118250287				
320	5840 333 240	1	SHAFT SEAL			ENTH.IN 199118250287				
330		1	SHIM			199118250364				
	5841 300 607	1	SHIM			199118250364	WW		0,020	P
	5841 300 608	1	SHIM			199118250365	WW		0,050	P
	5841 300 609	1	SHIM			199118250366	WW		0,020	P
	5841 300 610	1	SHIM			199118250367	WW		0,020	P
	5841 300 611	1	SHIM			199118250368	WW		0,020	P

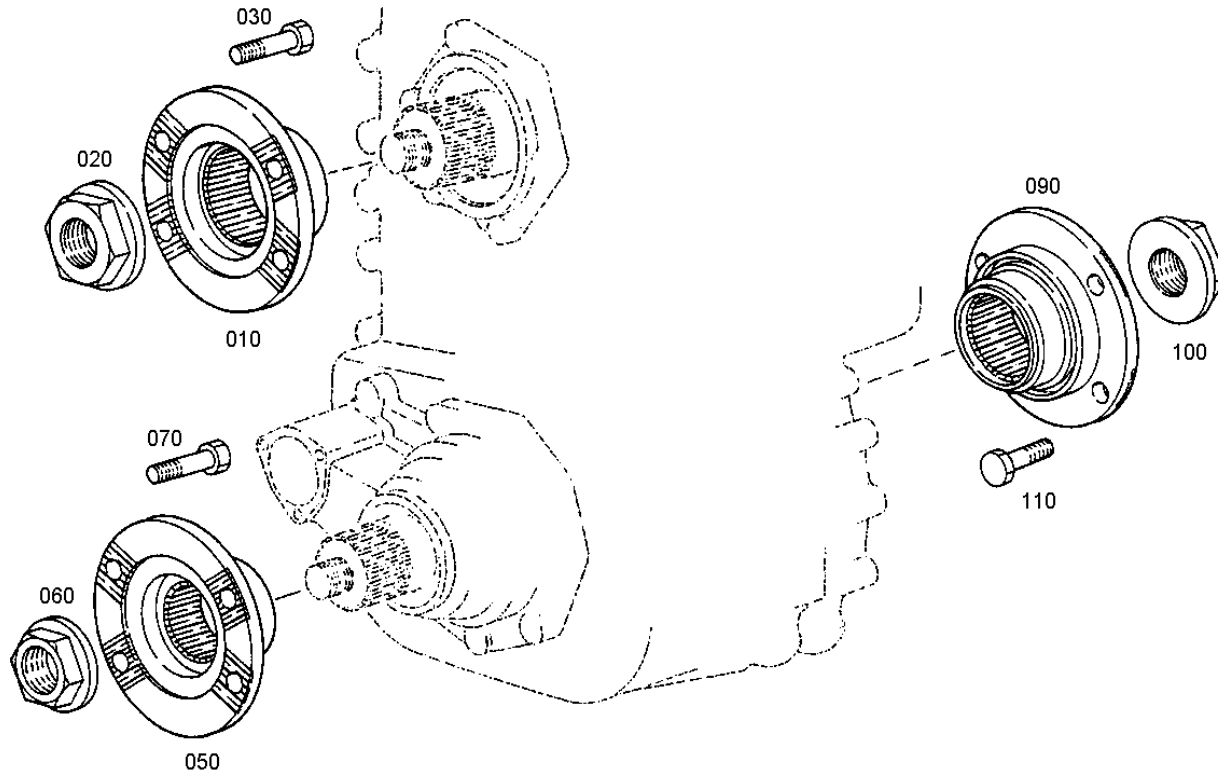
ZF-ELCAT parts list

parts list: 5848 001 011 VG-1600-300 / / KAMAZ  
figure: 5848 106 005 00 OUTPUT (5848 106 008)

item	part no.	OCF	description	mod. no.	mod. intr.	technical information	opt.	customer's code no.	weight	suppl.plant
	5841 300 612	1	SHIM			199118250369	WW		0,050	P
	5841 300 613	1	SHIM			199118250370	WW		0,010	P
	5841 300 614	1	SHIM			199118250371	WW		0,050	P
340	5841 300 166	1	COVER PLATE			171600210019			1,000	P
350	5841 303 204	1	OUTPUT GEAR			171600220078				P
360	5840 333 141	12	HEXAGON SCREW			M12X1,5X40/190003800025	1		0,040	P
370	5841 300 324	6	FITTING PIN			179200250035			0,020	P
380	5841 300 573	5	PLANET SHAFT			199118250289			0,320	P
390	5841 300 536	5	PLANET GEAR			199118250125			0,400	P
400	5841 300 548	10	NEEDLE CAGE			199118250178			0,020	P
410	5841 300 545	10	THRUST WASHER			199118250160			0,020	P
420	0631 302 047	5	CYLINDRICAL PIN			6 M6 X 10	ST		0,010	P
430	5841 300 544	5	COMPR.SPRING			199118250159			0,010	P
440	5841 303 205	1	CY.ROLL.BEARING			190003326246 DIN 5412				P
450	5841 303 206	1	RETAINING RING			171600220079 AV 45				P
460	5841 303 207	1	OUTPUT SHAFT			172000220055				P
470	5841 300 537 H	1	RING GEAR			199118250126			5,220	P
480	5841 300 642	1	RETAINING RING			1-99-917-003-----			0,030	P
490	5840 302 754	1	ROLLER BEARING			11144240				
500	5841 300 812	1	BEARING COVER			171600210090 HA				
510	0636 011 335	7	HEXAGON SCREW			M 12 X 35	8.8 A3C		0,040	F

parts list: 5848 001 011 VG-1600-300 / / KAMAZ  
figure: 5848 110 001 00 FLANGE

\* depending on parts list no.



ZF-ELCAT parts list

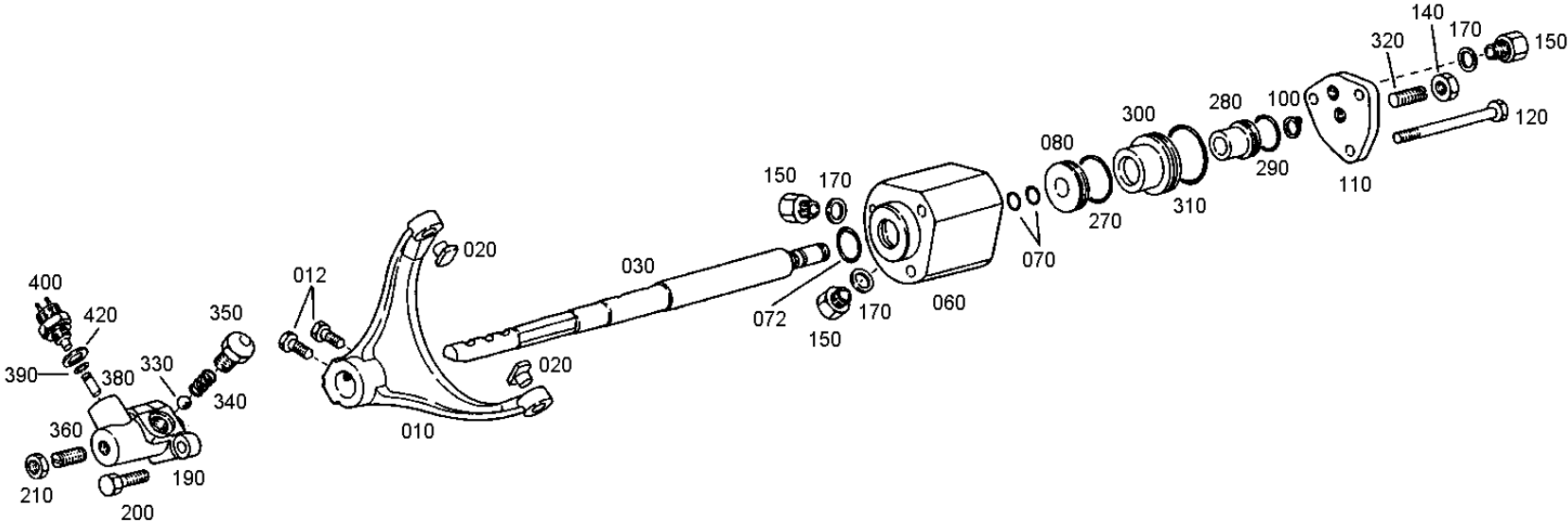
parts list: 5848 001 011 VG-1600-300 / / KAMAZ  
figure: 5848 110 001 00 FLANGE (5848 110 005)

item	part no.	OCF	description	mod. no.	mod. intr.	technical information	opt.	customer's code no.	weight	suppl.plant
010	5841 300 586	1	FLANGE			199118250326			3,640	P
020	5841 300 530 H	1	COLLAR NUT			199118250013			0,700	P
030	0636 020 211	4	HEXAGON SCREW			M 14X1,5 X 50 10.9			0,080	F
050	5841 300 549	1	FLANGE			199118250212			3,515	P
060	5841 300 630	1	COLLAR NUT			1-99-905-004			0,480	P
070	0636 020 211	4	HEXAGON SCREW			M 14X1,5 X 50 10.9			0,080	F
090	5841 300 586	1	FLANGE			199118250326			3,640	P
100	5841 300 530 H	1	COLLAR NUT			199118250013			0,700	P
110	0636 020 211	4	HEXAGON SCREW			M 14X1,5 X 50 10.9			0,080	F

parts list: 5848 001 011 VG-1600-300 / / KAMAZ

figure: 5848 112 004 00 GEARSHIFT SYST.

\* depending on parts list no.



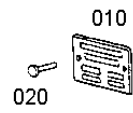




parts list: 5848 001 011 VG-1600-300 / / KAMAZ  
figure: 5848 139 001 00 TYPE PLATE

---

\* depending on parts list no.



ZF-ELCAT parts list

parts list: 5848 001 011 VG-1600-300 / / KAMAZ  
figure: 5848 139 001 00 TYPE PLATE (5848 139 002)

item	part no.	OCF	description	mod. no.	mod. intr.	technical information	opt.	customer's code no.	weight	suppl.plant
010	5838 300 737 H	1	TYPE PLATE			50X35X0.5 ALMG1			0,002	P
020	5838 300 301	2	GROOVED STUD			155700733047			0,001	P
**** END ****										