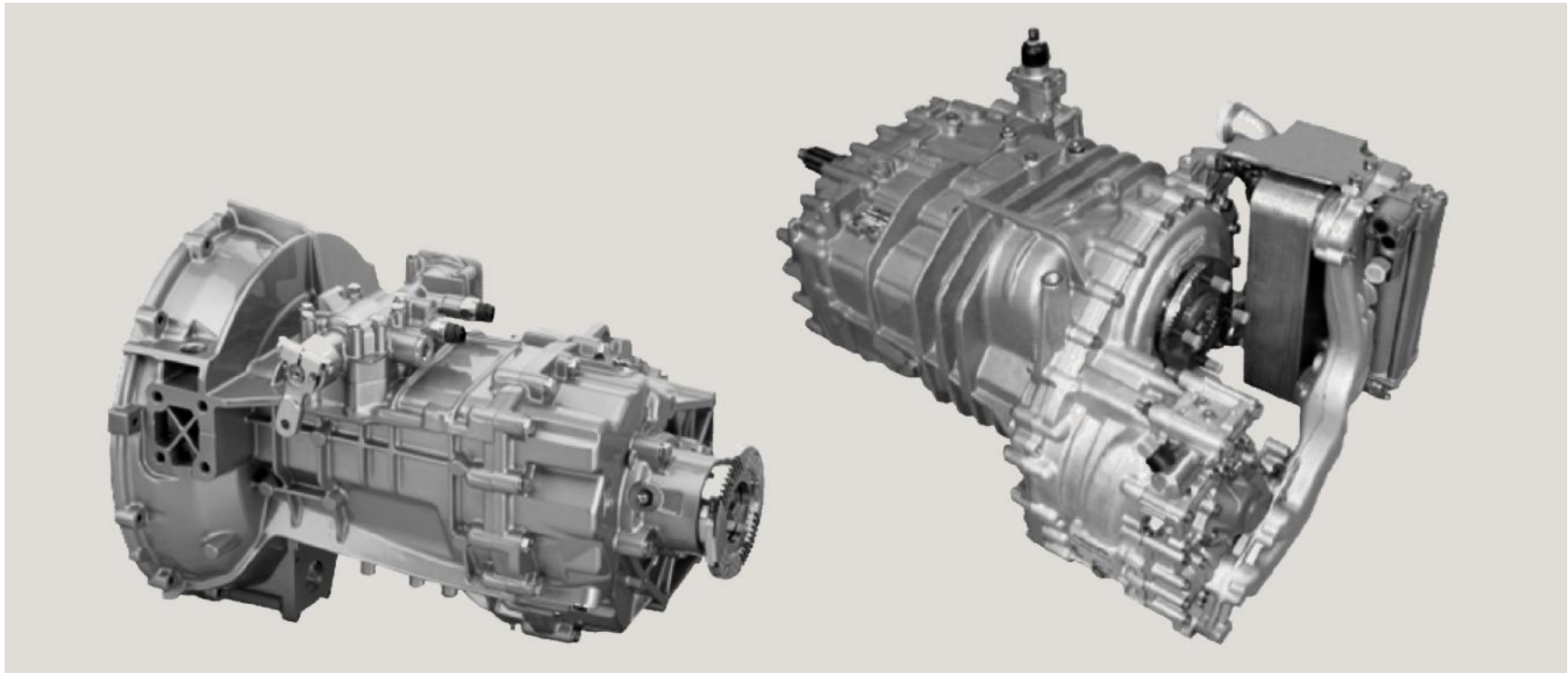




Driveline and Chassis Technology

Manual Bus Transmissions





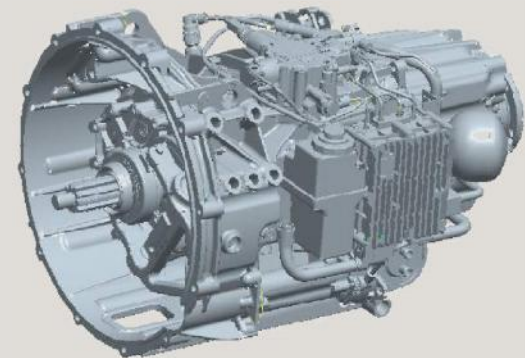
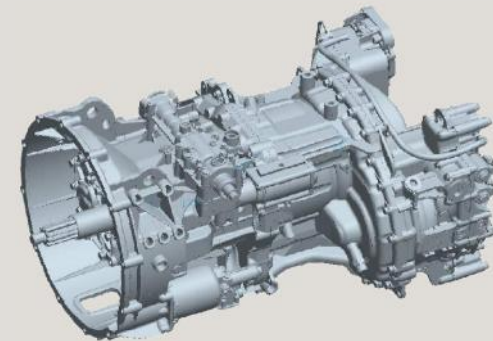
Type Designations and Models

Transmission family	Designation old	Model old	Designation new	Model new	New developments	Model
5-speed	S 5-42	1307 0.. ...	5 S 600 BO	1357 001 ...		
6-speed			6 S 710 BO	1346 011 ...	EB5 (EcoShift)	1360 0.. ...
			6 S 1010 BO	1346 012 ...		
	S 6-85	1310 050 ...	6 S 1000 BO	1350 001 ...		
			6 S 1000 BD	1350 002 ...		
			6 S 1200 BO	1350 003 ...		
	6 S 1600	1310 054 ...	6 S 1200 BD	1350 004 ...		
			6 S 1600 BD	1349 001 ...		
			6 S 1700 BO	1349 002 ...		
	6 S 1600 IT	1310 044 ...	6 S 1900 BD	1349 003 ...		
			6 S 1601 BD	1349 040 ...		
			6 S 1701 BO	1349 041 ...		
	GCT			6 S 1901 BO		
			6 S 1350 BO	1349 052 ...		
			6 S 1650 BO	1349 054 ...		
	6 S 890	1290 060 ...	6 S 700 BO	1351 001 ...	Production phased out at the end of 2009 replaced with 6 S 710 BO	
8-speed	8 S 180	1304 054 ...	8 S 2100 BO	1352 001 ...	Production phased out at end of 2007 no replacement	
			8 S 2100 BD	1352 002 ...		
	8 S 180 IT	1304 044 ...	8 S 2101 BO	1352 041 ...		
			8 S 2101 BD	1352 042 ...		



New 6-Speed Manual Transmission Range for Medium and High-Performance Buses

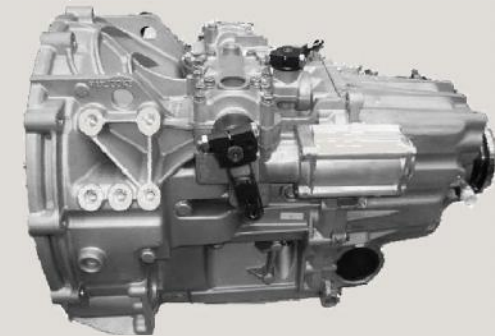
ZF-ECOSHIFT





EcoShift – Features

- Torques from approx. 1000 Nm up to 2100 Nm
- Modern, standardized 6-speed transmission and technology platform:
 - Weight reduction, e.g. by using an integrated clutch bell
 - Low shift effort thanks to optional ZF-Servoshift unit
 - Meets future noise emission requirements
 - Adaptation of the new ZF-Intarder 3
 - Standardized AS automation module can be adapted = **ZF-ASTRONIC**
mid





ZF Manual Transmissions for Buses

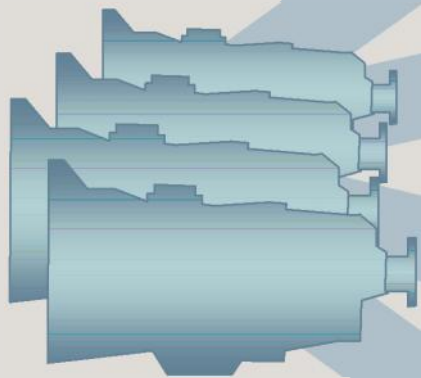


Manual Bus Transmissions



EcoShift / AS Tronic mid

One basic transmission – four variants



EcoShift*



Manual

6 S 1310 BO / BD
6 S 1610 BO / BD
6 S 1911 BO
6 S 2111 BO

EcoShift*



Manual + Servo

6 S 1310 BO / BD
6 S 1610 BO / BD
6 S 1911 BO
6 S 2111 BO

AS Tronic mid*



Automated

6 AS 1310 BO / BD
6 AS 1610 BO / BD

EcoShift /
AS Tronic mid*
with Intarder 3



Intarder 3

6 S 1311 BO / BD
6 S 1611 BO / BD
6 S 1911 BO
6 S 2111 BO

**under development*

Manual Bus Transmissions