

# 12 S 2330 TD Project information ZF-Ecosplit (Truck)

## Synchromesh transmission for heavy trucks



- 12 S 2330 TD - Basic transmission
- 12 S 2331 TD - Transmission with Intarder
- 12 S 2333 TD - Transmission designed for 100% coasting torque
- 12 S 2335 TD - Transmission with clutch-dependent PTO

SERVOSHIFT is the standard shift system in all transmission versions.

Transmission type	12 S 2330 TD
Input torque	max. 2300 Nm
Weight without auxiliaries	≈ 310 kg
Additional weight for ZF-Intarder	≈ 70 kg
Oil capacity for standard installation	≈ 13.0 dm <sup>3</sup>
Oil capacity for transmission with ZF-Intarder	≈ 23.0 dm <sup>3</sup>
Oil grade	as specified in ZF List of Lubricants TE-ML 01 or TE-ML 02
Installation	horizontal left, with integrated clutch bell

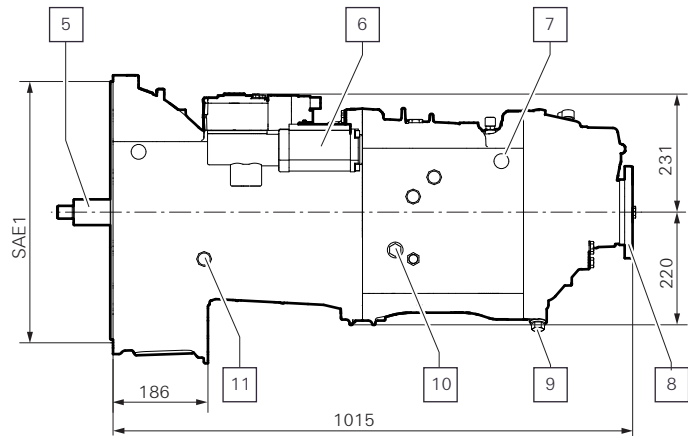
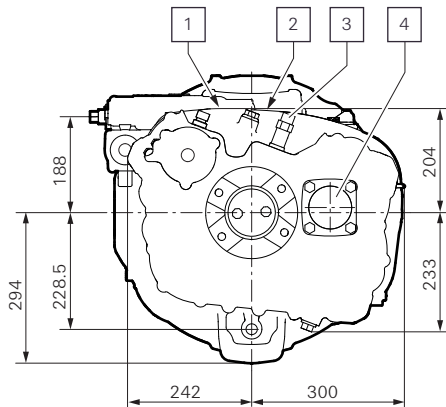
Standard ratios in gears (L = splitter low; H = splitter high)

1		2		3		4		5		6		R	
L	H	L	H	L	H	L	H	L	H	L	H	L	H
15.57	12.21	9.47	7.43	5.82	4.56	3.41	2.68	2.07	1.63	1.27	1.00	14.57	11.44

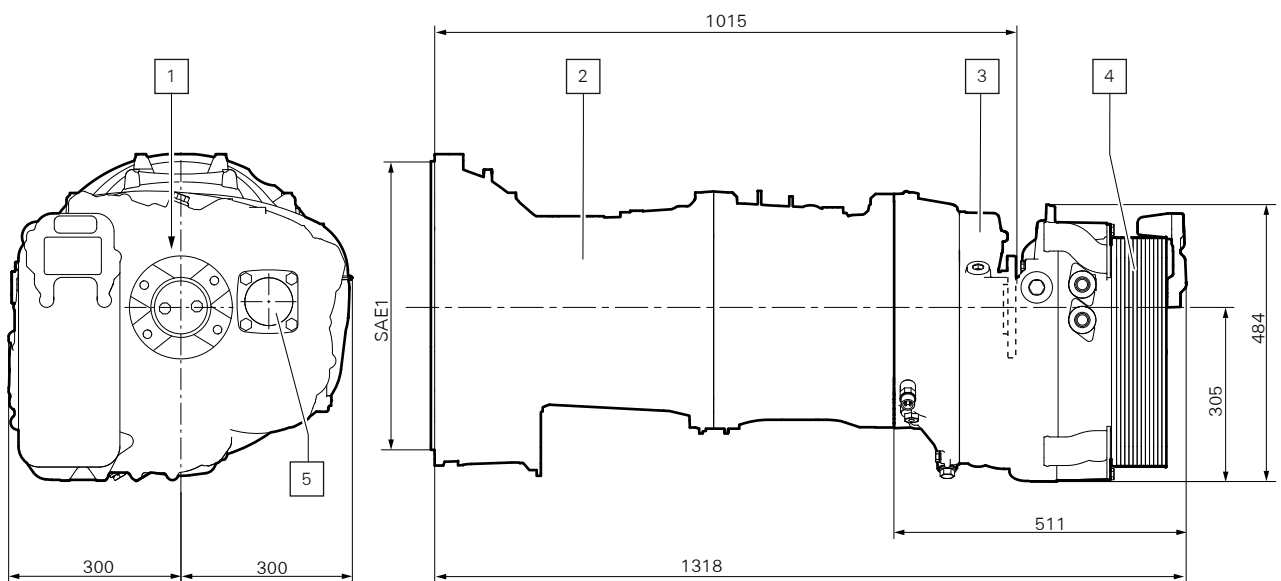
➔ see also Data Sheet for Intarder: [IT\\_Ecosplit\\_EN](#)

# 12 S 2330 TD

## Installation dimensions



- |   |                                     |
|---|-------------------------------------|
| 1 "Neutral" signal transmitter                  | 6 Servoshift                        |
| 2 "Reverse gear" signal transmitter             | 7 "Range change" signal transmitter |
| 3 Speedometer connection, electronic (optional) | 8 Output                            |
| 4 Connection point for clutch-dependent ZF-PTOs | 9 Oil drain                         |
| 5 Input   | 10 Oil fill and oil overflow check  |
|   | 11 "Splitter" signal transmitter    |



- |                                     |                            |
|-------------------------------------|----------------------------|
| 1 Option to fit steering pump drive | 4 Oil/water heat exchanger |
| 2 ZF-Ecosplit transmission          | 5 Connection for PTO       |
| 3 ZF-Intarder unit                  |                            |