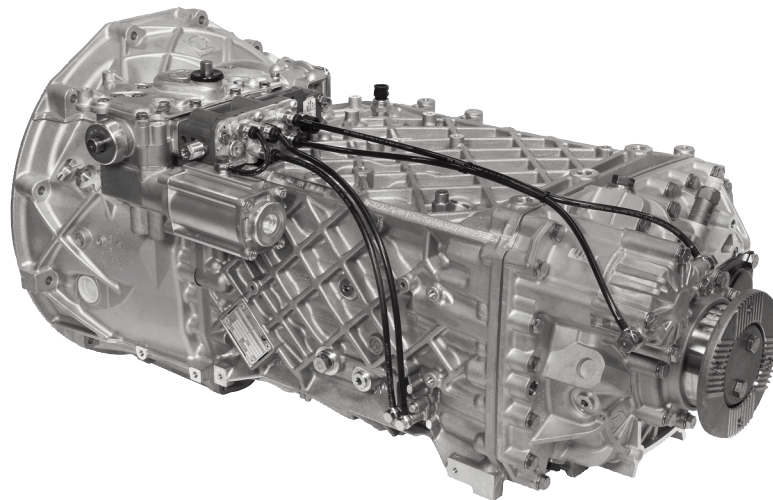


# 16 S 1820 TO ZF-Ecosplit (Truck)

Synchromesh transmission for heavy trucks



- 16 S 1820 TO - Basic transmission
- 16 S 1821 TO - Transmission with Intarder
- 16 S 1823 TO - Transmission designed for 100% coasting torque
- 16 S 1825 TO - Transmission with clutch-dependent PTO

SERVOSHIFT is the standard shift system in all transmission versions.

Transmission type	16 S 1820 TO
Input torque	max. 1850 Nm
Weight without auxiliaries	≈ 289 kg
Oil capacity for standard installation	≈ 11 dm <sup>3</sup>
Oil grade	as specified in ZF List of Lubricants TE-ML 01 and/or TE-ML 02
Installation	horizontal left, with integrated clutch bell
Additional weight for ZF-Intarder	≈ 69 kg
Additional oil quantity for ZF-Intarder	≈ 8 dm <sup>3</sup>

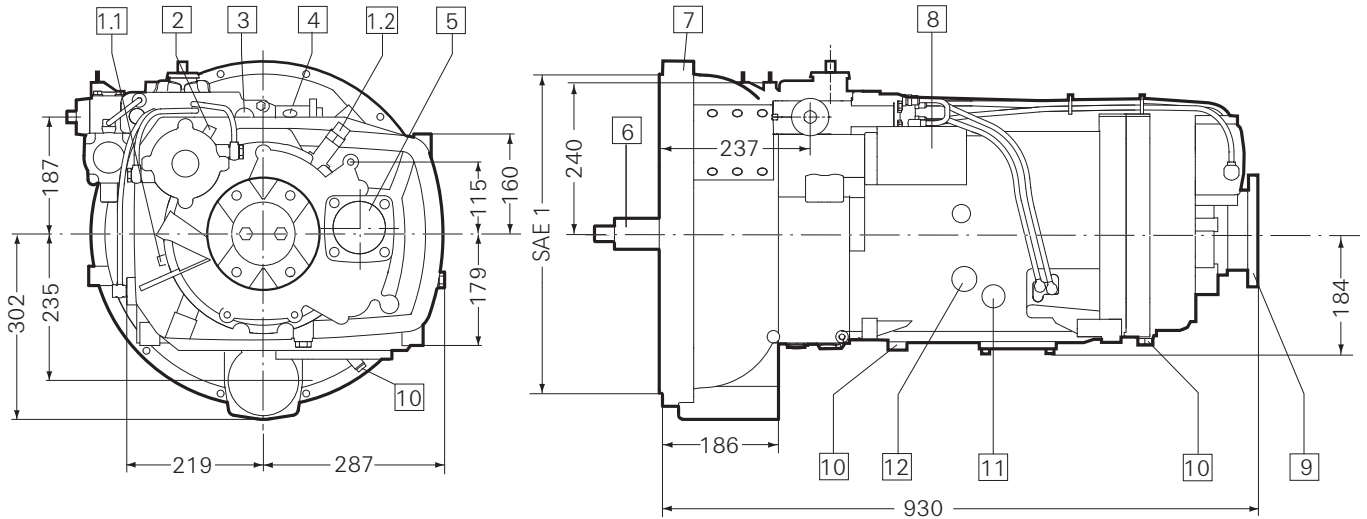
Standard ratios in gears (L = splitter low; H = splitter high)

1		2		3		4		5		6		7		8		R	
L	H	L	H	L	H	L	H	L	H	L	H	L	H	L	H	L	H
13.80	11.54	9.49	7.93	6.53	5.46	4.57	3.82	3.02	2.53	2.08	1.74	1.43	1.20	1.00	0.84	12.92	10.80

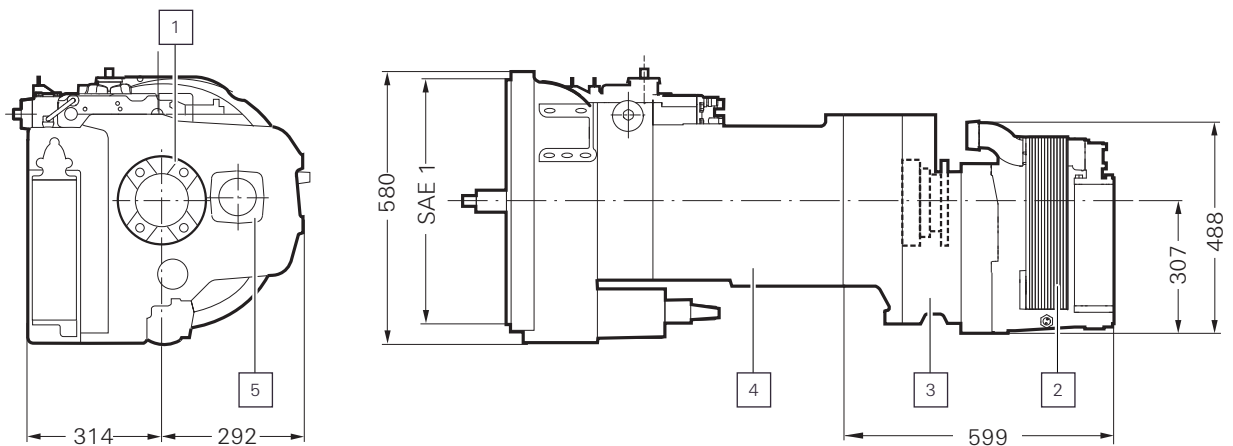
➔ see also Data Sheet for Intarder: IT\_NewEcosplit\_EN

# 16 S 1820 TO

## Installation dimensions



- |   |                                    |
|---|------------------------------------|
| 1 Speedometer connection, electronic (optional) | 7 Integrated clutch bell           |
| 2 "Range change" signal transmitter             | 8 Servoshift                       |
| 3 "Neutral" signal transmitter                  | 9 Output                           |
| 4 "Reverse gear" signal transmitter             | 10 Oil drain                       |
| 5 Connection point for clutch-dependent ZF-PTOs | 11 "Splitter" signal transmitter   |
| 6 Input   | 12 Oil fill and oil overflow check |



- |                                     |                            |
|-------------------------------------|----------------------------|
| 1 Option to fit steering pump drive | 4 Oil/water heat exchanger |
| 2 ZF-Ecosplit transmission          | 5 Connection for PTO       |
| 3 ZF-Intarder unit                  |                            |