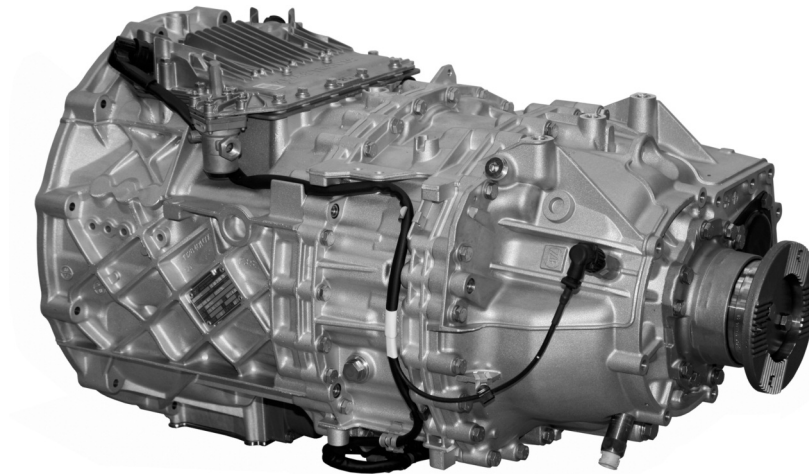


12 AS 1630 TD ZF-ASTronic (Truck)

Automatic transmission system for heavy trucks



- 12 AS 1630 TD - Basic transmission
- 12 AS 1631 TD - Transmission with Intarder
- 12 AS 1635 TD - Transmission with clutch-dependent PTO

| | |
|--|--|
| Transmission type | 12 AS 1630 TD |
| Input torque | max. 1600 Nm |
| Weight* without auxiliaries | ≈ 242 kg |
| Oil capacity for initial filling | ≈ 12 dm ³ |
| Oil grade | as specified in ZF List of Lubricants TE-ML 02 |
| Clutch bell housing SAE 1 | integrated |
| Additional weight for ZF-Intarder | ≈ 70 kg |
| Additional oil quantity for ZF-Intarder | ≈ 10 dm ³ |

*without oil fill, clutch and clutch release components

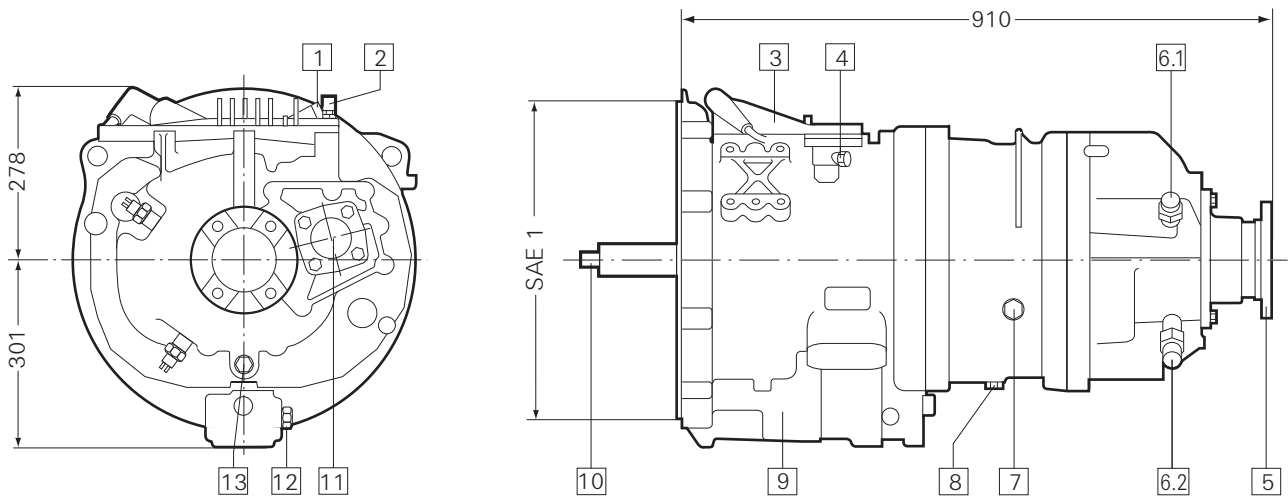
Standard ratios in gear

| 1 | 2 | 3 | 4 | 5 | 6 | 7 | 8 | 9 | 10 | 11 | 12 | R1 | R2 |
|-------|-------|------|------|------|------|------|------|------|------|------|------|-------|-------|
| 15.86 | 12.33 | 9.57 | 7.44 | 5.87 | 4.57 | 3.47 | 2.70 | 2.10 | 1.63 | 1.29 | 1.00 | 14.68 | 11.41 |

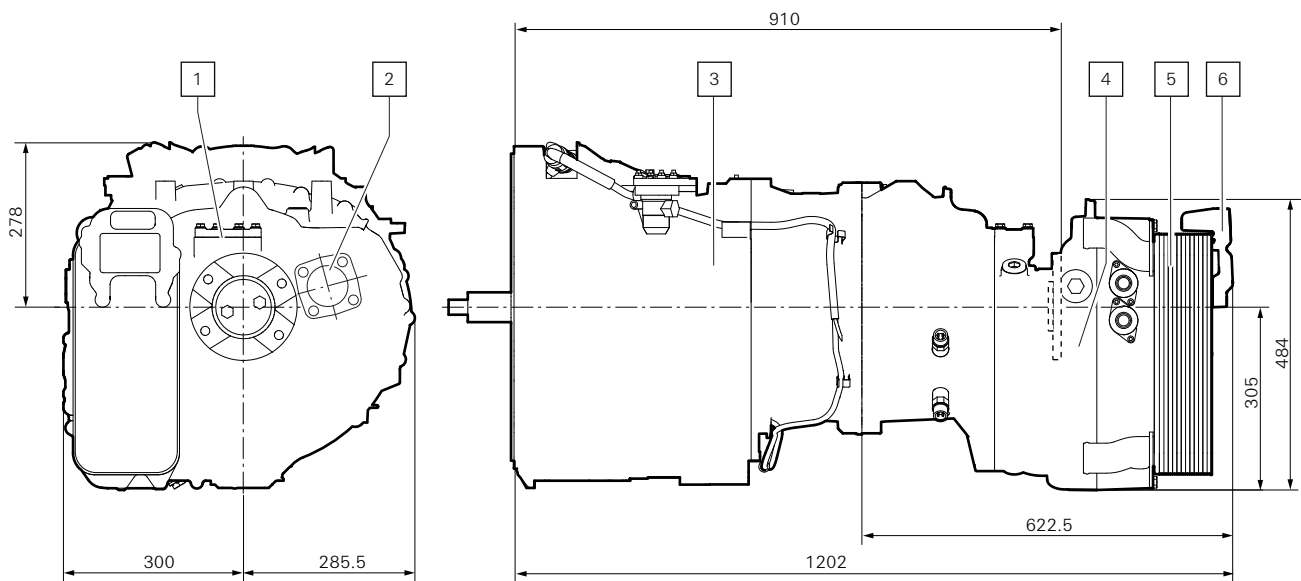
→ see also Data Sheet for Intarder: IT_AS_Tronic_Truck_EN

12 AS 1630 TD

Installation dimensions



- | | |
|---|---|
| 1 Electrical connection | 7 Oil fill and oil level check |
| 2 Breather | 8 Oil drain |
| 3 Gearshift module | 9 Clutch module |
| 4 Compressed air connection | 10 Input |
| 5 Output | 11 Connection point for clutch-dependent PTO |
| 6.1 Speedo sensor, transmission side | 12 Compressed air connection |
| 6.2 Speedo sensor, vehicle side | 13 Oil drain |



- | | |
|--|-----------------------------------|
| 1 Option to fit steering pump drive | 4 ZF-Intarder unit |
| 2 Connection for PTO | 5 Oil/water heat exchanger |
| 3 ZF-AS Tronic transmission | |