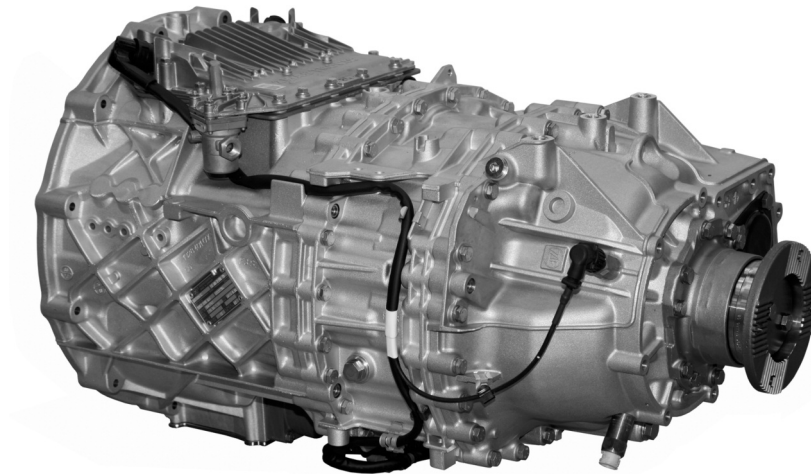


# 12 AS 2530 TO ZF-ASTronic (Truck)

Automatic transmission system for heavy trucks



- 12 AS 2530 TO - Basic transmission
- 12 AS 2531 TO - Transmission with Intarder
- 12 AS 2535 TO - Transmission with clutch-dependent PTO

<b>Transmission type</b>	<b>12 AS 2530 TO</b>
<b>Input torque</b>	max. 2500 Nm
<b>Weight*</b> without auxiliaries	≈ 240 kg
<b>Oil capacity</b> for initial filling	≈ 12 dm <sup>3</sup>
<b>Oil grade</b>	as specified in ZF List of Lubricants TE-ML 02
<b>Clutch bell housing SAE 1</b>	integrated
<b>Additional weight for ZF-Intarder</b>	≈ 70 kg
<b>Additional oil quantity for ZF-Intarder</b>	≈ 10 dm <sup>3</sup>

\*without oil fill, clutch and clutch release components

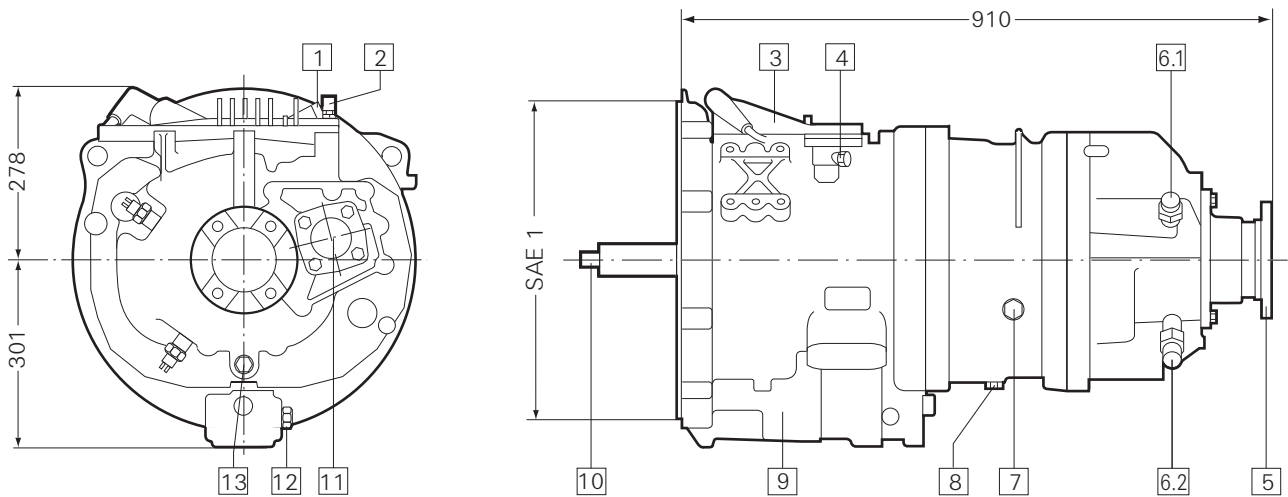
### Standard ratios in gear

1	2	3	4	5	6	7	8	9	10	11	12	R1	R2
12.33	9.59	7.44	5.78	4.57	3.55	2.70	2.10	1.63	1.27	1.00	0.78	11.41	8.88

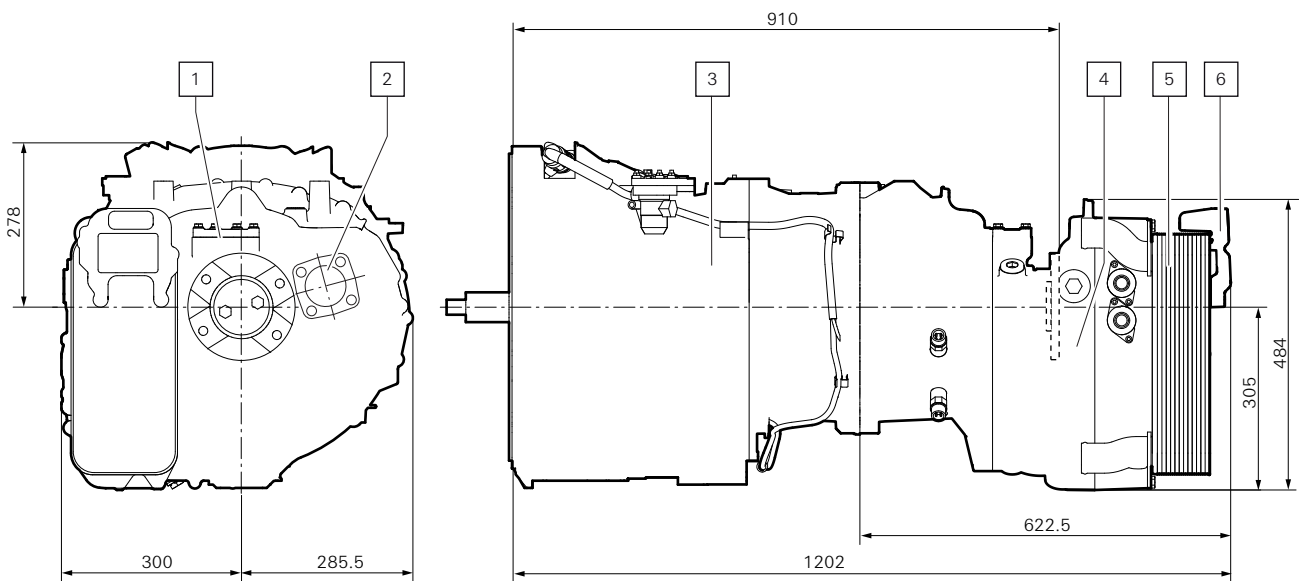
→ see also Data Sheet for Intarder: IT\_AS\_Tronic\_Truck\_EN

# 12 AS 2530 TO

## Installation dimensions



- |                                      |  |
|--------------------------------------|--|
| 1 Electrical connection              | 7 Oil fill and oil level check               |
| 2 Breather                           | 8 Oil drain                                  |
| 3 Gearshift module                   | 9 Clutch module                              |
| 4 Compressed air connection          | 10 Input                                     |
| 5 Output                             | 11 Connection point for clutch-dependent PTO |
| 6.1 Speedo sensor, transmission side | 12 Compressed air connection                 |
| 6.2 Speedo sensor, vehicle side      | 13 Oil drain                                 |



- |                                     |                            |
|-------------------------------------|----------------------------|
| 1 Option to fit steering pump drive | 4 ZF-Intarder unit         |
| 2 Connection for PTO                | 5 Oil/water heat exchanger |
| 3 ZF-AS Tronic transmission         |                            |